

RA Ecosystem Partner Solution

VK-RA6M3

Arduino® UNO R3 Form Factor compliant



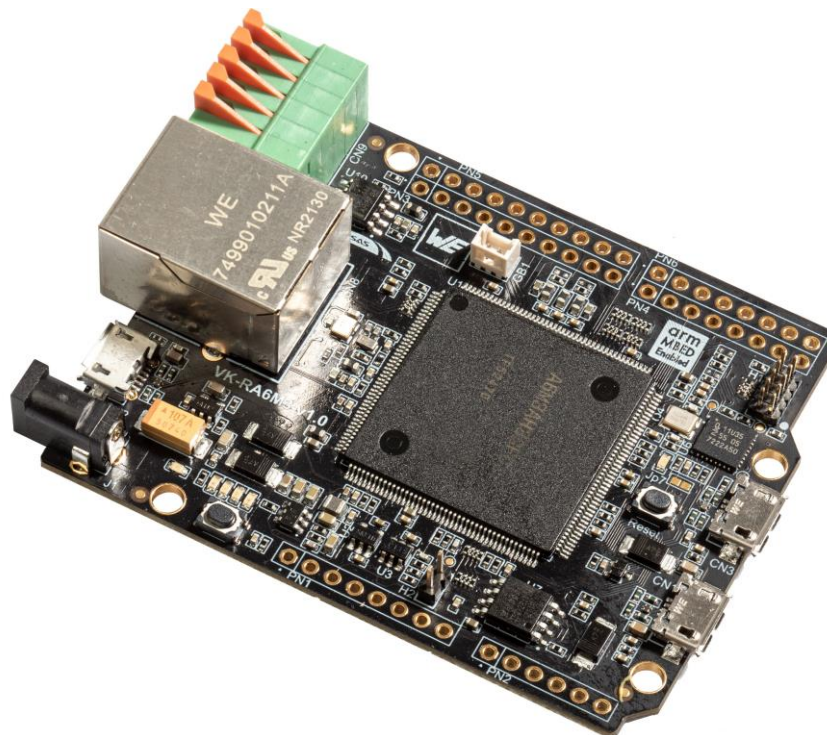
1. Solution Summary

VK-RA6M3 provides better and convenient alternative to Arduino® UNO R3 with great reusability of all available UNO's shields. Excellent solution for all kind of industrial, professional or hobby projects.

2. Features/Benefits

- Renesas RA6 ArmCortex®-M4 @ 120MHz
- RAM: 640KB, FLASH: 2MB (OnChip) + 16MB QSPI (OnBoard)
- 1x 24pin FPC Camera (VGA), 1x 40pin FPC Display (RGB), 1x 6pin FPC Touch (Capacitive)
- 1x RJ45, 1x SDHI, 2x µUSB 2.0, 1x CAN, 1x RS485, 4x LEDs, 2x Buttons
- SEGGER J-Link OB Debugger (GDB) / ARM DAPLink (Debugger, Flasher & TTY)

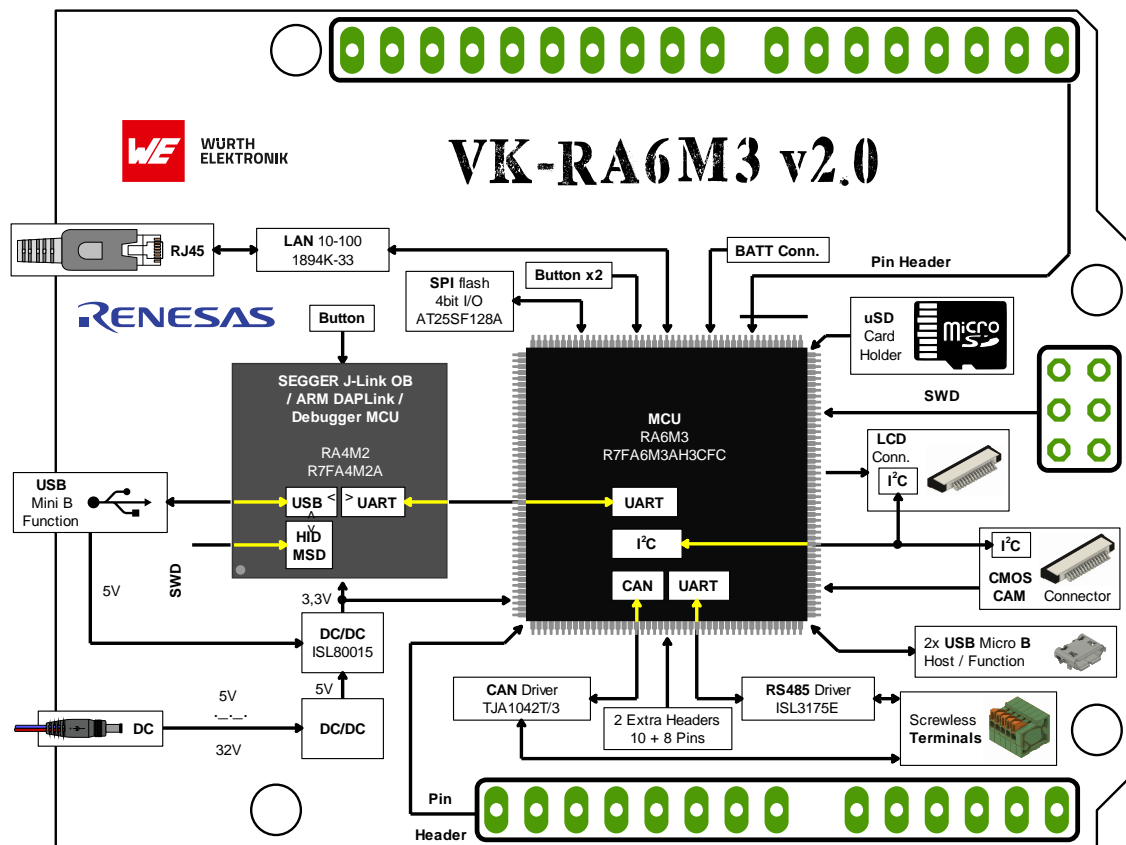
3. Graphics



4. Target Markets and Applications

- HMI Applications
- Home Automation
- Industrial Automation
- Robotics
- IoT Applications
- Surveillance Solution

5. Block Diagram



Learn more:

<https://vekatech.com/products/VK-RA6M3>

Contacts:

Vekatech Ltd.

63, Nestor Abadzhiev str.

4023 Plovdiv

Bulgaria

Tel. +359 (0) 32 262362

Fax. +359 (0) 32 262362

E-Mail: info@vekatech.com

Website: <https://www.vekatech.com>